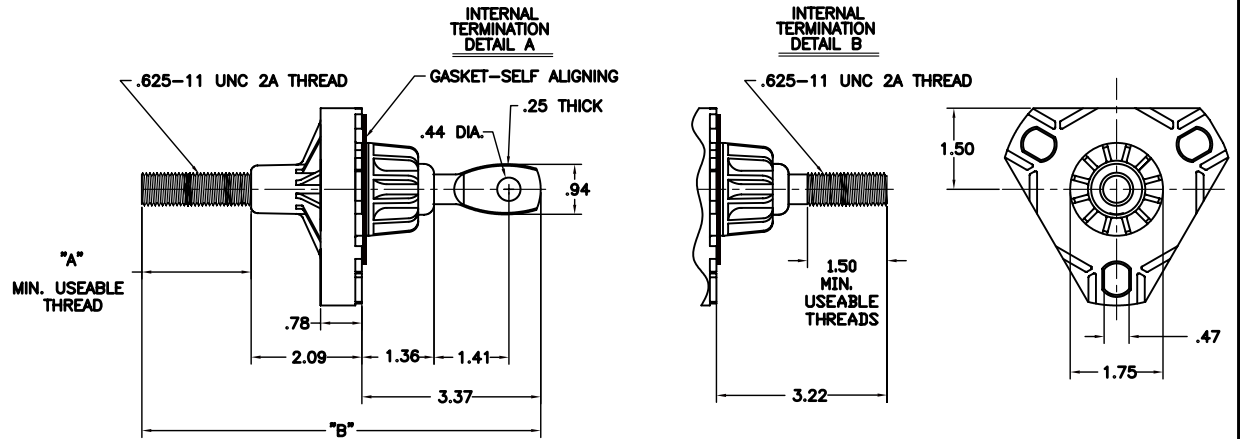


# CUSTOMER DATA SHEET

5/8" BUSHING ASSEMBLY INCLUDES:				
DETAIL "A"				
PART NUMBER	DESCRIPTION	"A" DIM.	"B" DIM.	GASKET BUNA "N"
70131551	5/8" TUF EX MOUNT	1.25"	6.71"	1
70131561	5/8" TUF EX MOUNT	2.06"	7.52"	
DETAIL "B"				
PART NUMBER	DESCRIPTION	"A" DIM.	"B" DIM.	GASKET BUNA "N"
70131556	5/8" TUF EX MOUNT	1.25"	6.66"	1

**RATINGS**

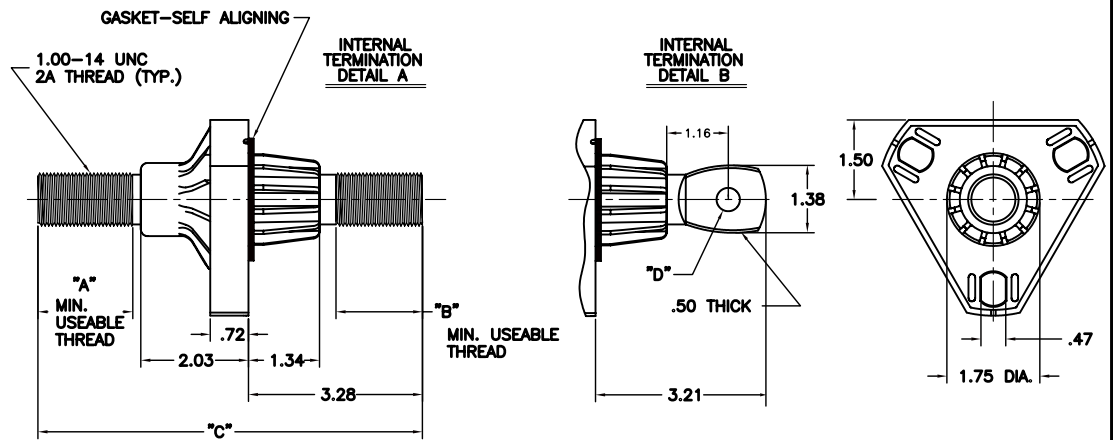
VOLTAGE CLASS.....1.2 KV  
 MAXIMUM LINE TO GROUND.....600 V  
 AC 60 Hz (1 MIN.).....10 KV  
 IMPULSE B.I.L.....30 KV  
 CONTINUOUS CURRENT .....830 AMPS  
 CANTILEVER STRENGTH.....250 FT. LBS.



1.0" BUSHING ASSEMBLY INCLUDES:					
DETAIL "A"					
PART NUMBER	DESCRIPTION	"A" DIM.	"B" DIM.	"C" DIM.	GASKET BUNA "N"
70133352	1.00" TUF EX MOUNT	1.81"	1.63"	7.25"	1
70133362	1.00" TUF EX MOUNT	3.06"	1.44"	8.13"	
DETAIL "B"					
PART NUMBER	DESCRIPTION	"A" DIM.	"C" DIM.	"D" DIA.	GASKET BUNA "N"
70133452	1.00" TUF EX MOUNT	1.81"	7.13"	.44"	1
70133457	1.00" TUF EX MOUNT	3.06"	8.42"	.44"	
70133462	1.00" TUF EX MOUNT	1.81"	7.13"	.53"	
70133464	1.00" TUF EX MOUNT	3.06"	8.42"	.53"	
70133472	1.00" TUF EX MOUNT	1.81"	7.13"	*	
70133482	1.00" TUF EX MOUNT	2.25"	7.50"	.44"	
70133484	1.00" TUF EX MOUNT	2.25"	7.50"	.53"	

**RATINGS**

VOLTAGE CLASS.....1.2 KV  
 MAXIMUM LINE TO GROUND.....600 V  
 AC 60 Hz (1 MIN.).....10 KV  
 IMPULSE B.I.L.....30 KV  
 CONTINUOUS CURRENT .....1500 AMPS  
 CANTILEVER STRENGTH.....300 FT. LBS.



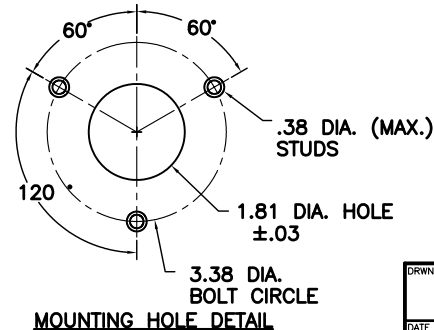
\* .50-13 x 1.50" UNPLATED STEEL CARRIAGE BOLT PRESSED INTO SPADE HOLE.

**TORQUE SPECIFICATIONS**

- MOUNTING NUTS.....70-80 IN.-LBS.

**MATERIALS**

- BODY - BLACK, GLASS REINFORCED, ENGINEERING GRADE THERMOPLASTIC.
- STUD - #110 COPPER
- GASKET - BUNA "N" (PART NO. 32161861)



DRWN BY:	B.M.	<b>Central Moloney, Inc.</b> Components Operation	5500 Jefferson Parkway - Phone (870) 247-5320 - Pine Bluff, Arkansas 71602
DATE:	2/24/99		NO. CDS 13 001

DESCRIPTION: 5/8" & 1.0" TUF EX-MOUNT BUSHING